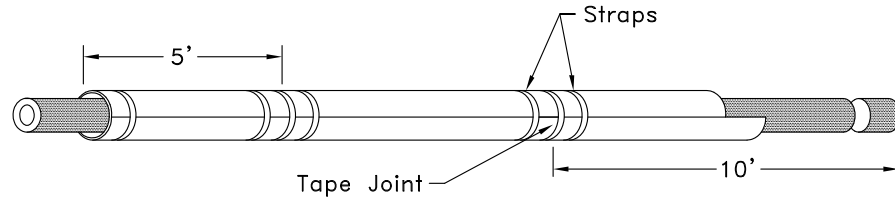


## ADAPTING PLASTIC DUCT TO OTHER DUCT MATERIALS

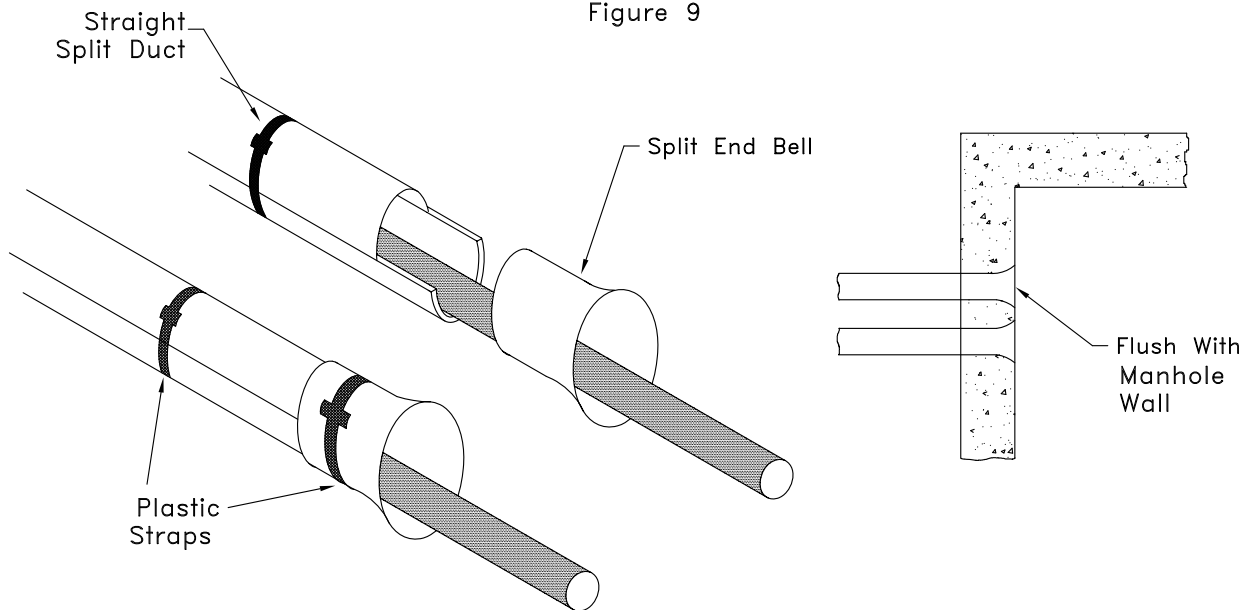
- f. Lay another length of split duct underneath the cable, butt ends together, tape the butted joint and secure straps 1 ft. on each side of the joint (See Figure 8).


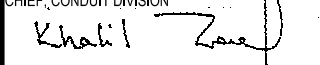
Figure 8



- g. Repeat previous procedures to the end of the run.
2. Terminating Split Duct in a Manhole Wall
    - a. Open the split terminating end bell and place over cable.
    - b. Apply PVC cement to the end of the assembled split duct and slide terminator over the cemented area.
    - c. Apply plastic strap or duct tape over the joint.
    - d. End bell to be positioned flush with inside face of manhole wall (See Figure 9).

Figure 9



APPROVED:  
  
 CHIEF, CONDUIT DIVISION  
  
 DIRECTOR, DEPARTMENT OF TRANSPORTATION

CITY OF BALTIMORE  
 DEPARTMENT OF TRANSPORTATION  
 CONDUIT DIVISION

**ADAPTING PLASTIC DUCT  
 TO OTHER DUCT MATERIALS**

ISSUED	REVISED	REVISED
8 / 2010		

**STANDARD NO.  
 BC 892.01-5**

SCALE: NONE      SHEET 5 OF 10