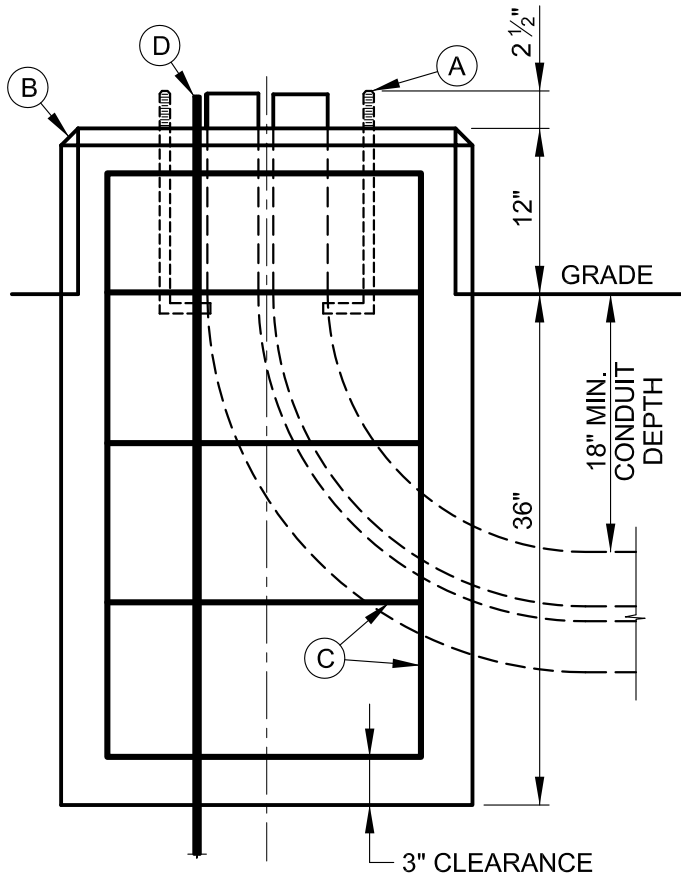


NOTES:

- (A) ANCHOR BOLTS SHALL BE  $\frac{3}{4}$ " DIAMETER x 16" LENGTH WITH 2" HOOK. TOP 3" TO BE THREADED 8 NC TOP 6" TO BE GALVANIZED.
- (B) 1" CHAMFER SHALL BE PLACED AT ALL EDGES.
- (C) REINFORCING SHALL BE #5 BARS WITH #5 TIES SPACED @ 12" MAXIMUM.
- (D) GROUND ROD SHALL BE MIN. 10' LENGTH X  $\frac{3}{4}$ " (COPPER CLAD)
- (E) ALL CONDUIT SHALL BE PLACED WITHIN A 12" x 12" SPACE CENTERED AS SHOWN.
- (F) A 36" x 36" x 4" CONCRETE PAD SHALL BE INSTALLED AT THE FRONT AND BACK OF EACH BASE. EACH PAD SHALL BE 1" ABOVE GRADE AND CHAMFERED 1" ON EDGE NOT BUTTING DIRECTLY TO BASE. IN SIDEWALK AREAS THE APPROPRIATE PAD OR PADS ARE ELIMINATED.
- (G) FOR 336S CABINET FOUNDATION BASES A TYPE 336S CABINET BASE ADAPTER SHALL BE SUPPLIED.



APPROVED:  
*Primal Dev...*  
 DIVISION CHIEF, TRANSPORTATION ENGINEERING AND CONSTRUCTION  
*Khalil Z...*  
 DIRECTOR, DEPARTMENT OF TRANSPORTATION

CITY OF BALTIMORE  
 DEPARTMENT OF TRANSPORTATION  
 TRANSPORTATION ENGINEERING AND CONSTRUCTION

TYPE 332 AND CATEGORY (E)  
 CONTROLLER CABINET  
 FOUNDATION BASE

ISSUED	REVISED	REVISED
8 / 2010		
STANDARD NO. BC 890.02		
SCALE : NONE	SHEET 1 OF 1	