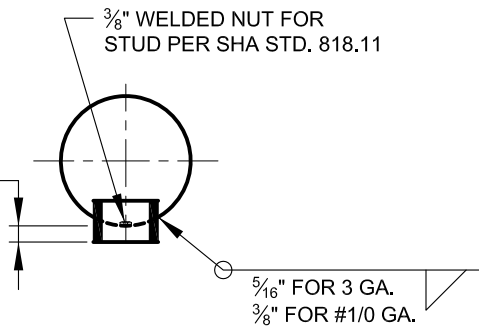
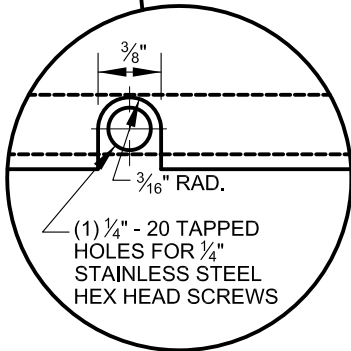


**HANDHOLE COVER**  
SCALE: 1 1/2" = 1'-0"



**SECTION A-A  
HANDHOLE DETAIL**  
SCALE: 3/4" = 1'-0"

5" x 9" (OUTSIDE DIMS.) HANDHOLE REINFORCED FRAME 11 GA. STEEL HINGED COVER IS ATTACHED WITH (1) 1/4"-20 STAINLESS STEEL HEX HEAD SCREW (P02-A180)

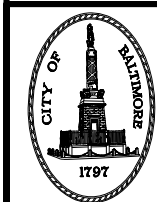


**ENLARGED DETAIL**

A POLE GROUNDING LUG SHALL BE PROVIDED AT THE HANDHOLE.

POLE SHAFT DIMENSION SCHEDULE		
HEIGHT	BASE O.D.	TOP O.D.
20 FEET	9.00"	6.20"

\* 2" DIA. HOLES ARE REQUIRED FOR 32' STRAIN POLE



APPROVED:  
*Primal Dev...*  
DIVISION CHIEF, TRANSPORTATION ENGINEERING AND CONSTRUCTION  
*Khalil Z...*  
DIRECTOR, DEPARTMENT OF TRANSPORTATION

CITY OF BALTIMORE  
DEPARTMENT OF TRANSPORTATION  
TRANSPORTATION ENGINEERING AND CONSTRUCTION

**MULTI-PURPOSE POLE**

ISSUED	REVISED	REVISED
8 / 2010		

STANDARD NO.  
BC 880.05-1

SCALE : NONE SHEET 1 OF 2