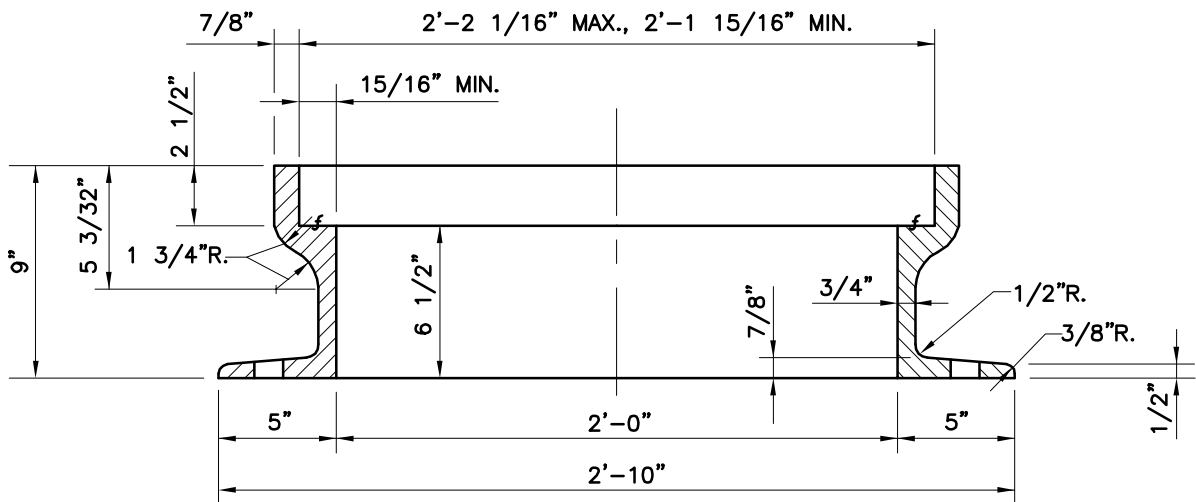
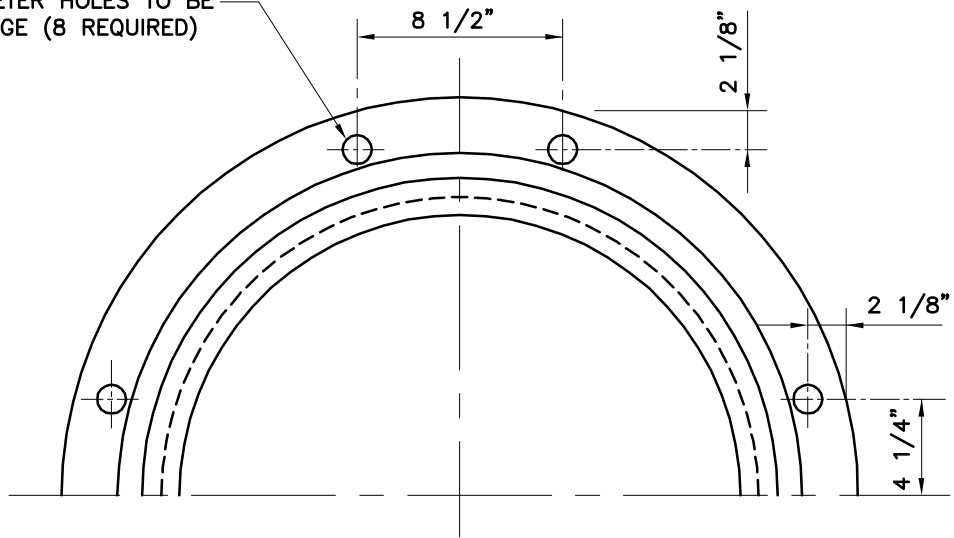


1 1/4" DIAMETER HOLES TO BE CAST IN FLANGE (8 REQUIRED)



APPROVED :
[Signature]
 HEAD, BUREAU OF WATER AND WASTEWATER
[Signature]
 DIRECTOR, DEPARTMENT OF PUBLIC WORKS

CITY OF BALTIMORE
 DEPARTMENT OF PUBLIC WORKS
 BUREAU OF WATER AND WASTEWATER
 STANDARD 24" MANHOLE FRAME - WATER

ISSUED	REVISED	REVISED
3 / 2008		
STANDARD NO. BC 876.01		
SCALE : NONE	SHEET 2 OF 2	