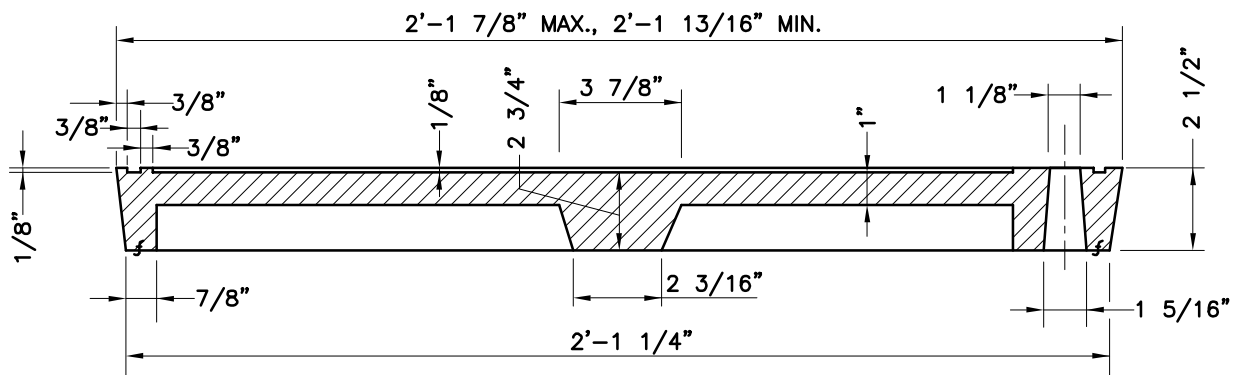
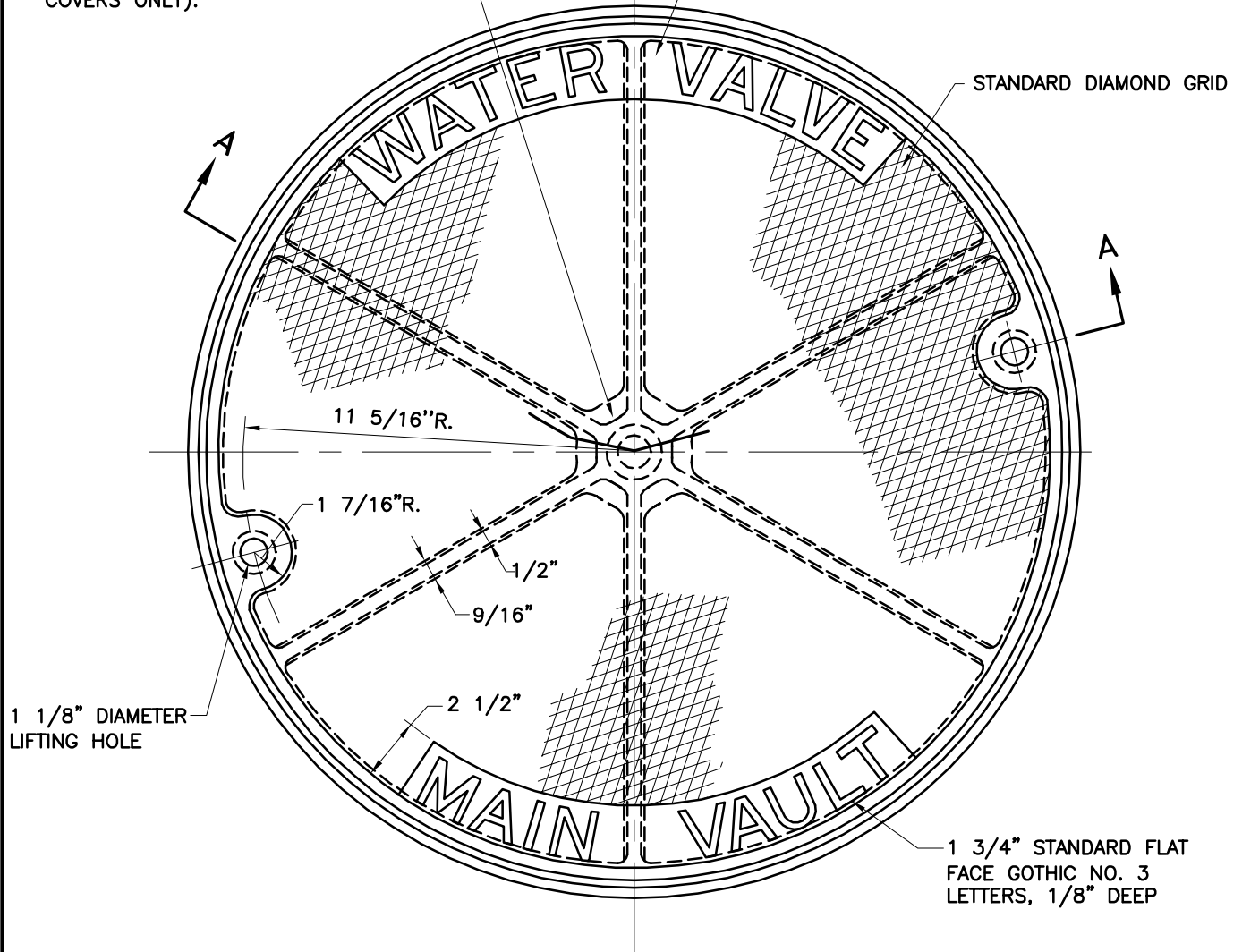



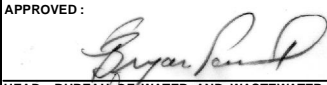
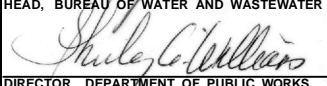
PROVIDE HOLE FOR LOCKING BOLT WHEN REQUIRED (SANITARY AND STORM DRAIN COVERS ONLY).

PLAQUES MAY ALSO READ "WATER METER", "WATER VAVLE" OR "WATER VALVE-DIVISION". REMAINING PLAQUE AREAS TO BE STANDARD DIAMOND GRID.



SECTION A-A

THIS COVER IDENTICAL WITH STANDARD 24" SANITARY AND STORM DRAIN COVERS (EXCEPT FOR 1" DIAMETER PERFORATIONS IN STORM DRAIN COVERS).

	APPROVED:  HEAD, BUREAU OF WATER AND WASTEWATER	CITY OF BALTIMORE DEPARTMENT OF PUBLIC WORKS BUREAU OF WATER AND WASTEWATER  STANDARD 24" MANHOLE COVER - WATER	ISSUED	REVISED	REVISED
	 DIRECTOR, DEPARTMENT OF PUBLIC WORKS		3 / 2008		
	STANDARD NO. BC 876.01			SCALE: NONE	SHEET 1 OF 2