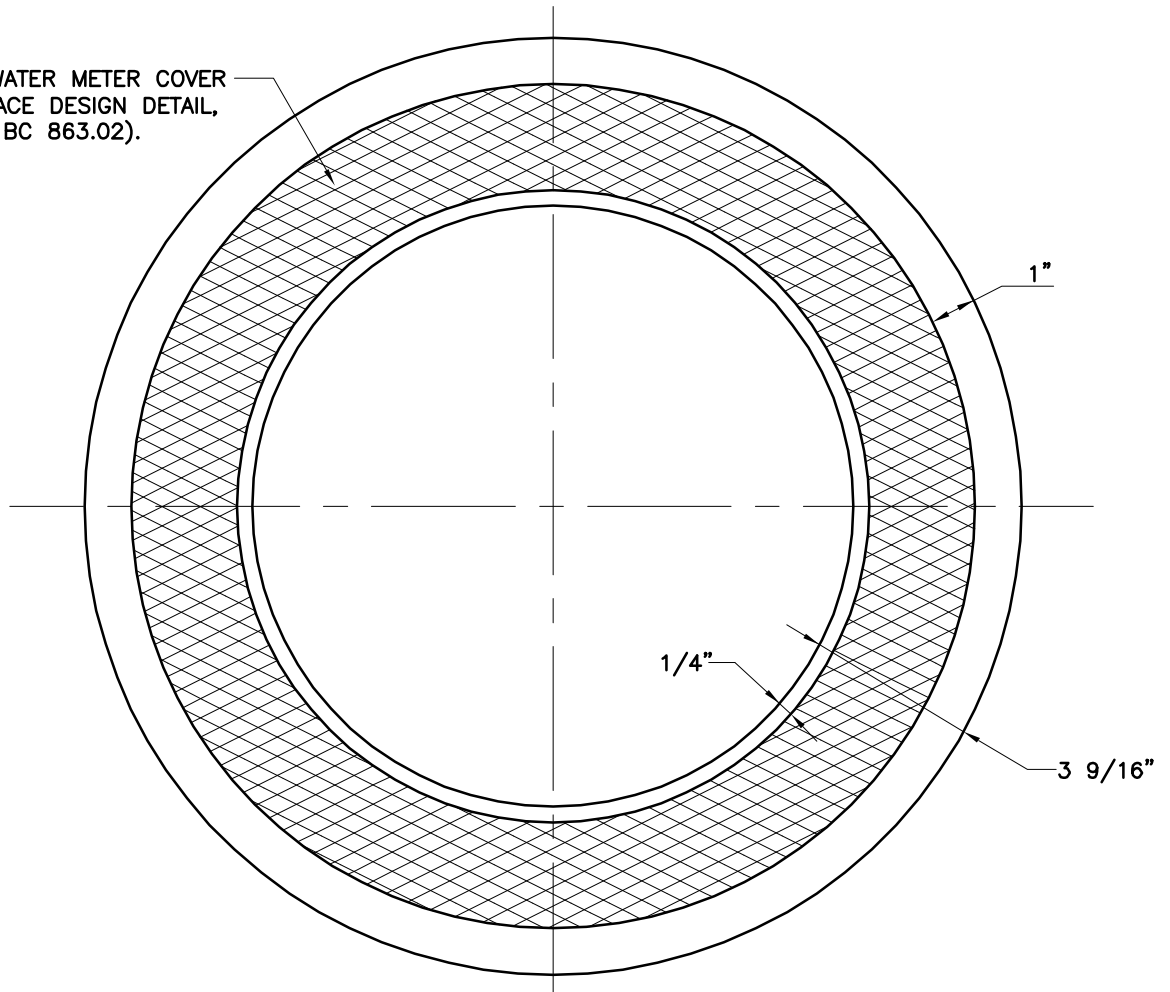
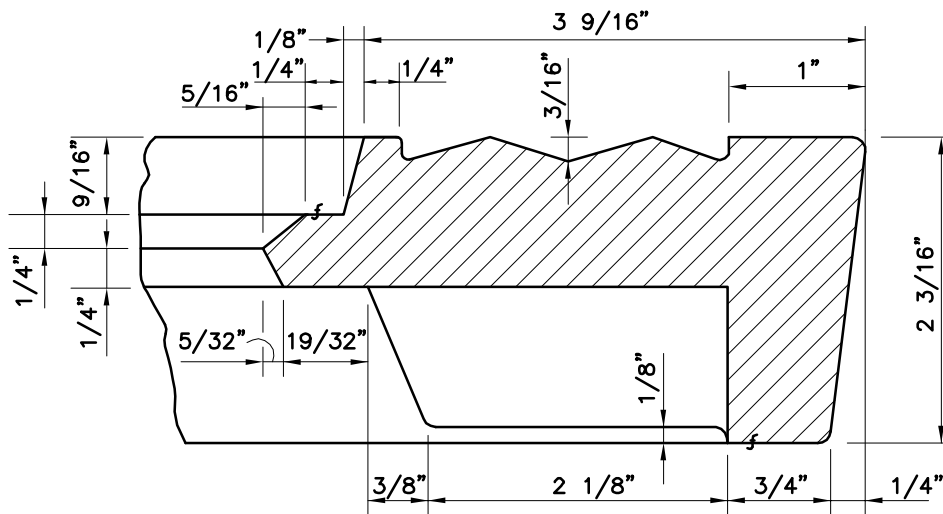



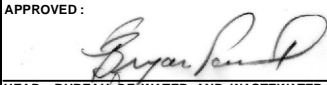
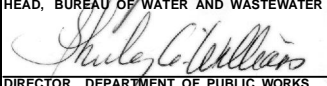
SEE 12" WATER METER COVER
FOR SURFACE DESIGN DETAIL,
(STD. NO. BC 863.02).



GRID PLAN



SECTION B-B

	APPROVED :  HEAD, BUREAU OF WATER AND WASTEWATER	CITY OF BALTIMORE DEPARTMENT OF PUBLIC WORKS BUREAU OF WATER AND WASTEWATER 18" X 12" METER FRAME ADAPTER	ISSUED	REVISED	REVISED
	 DIRECTOR, DEPARTMENT OF PUBLIC WORKS		3 / 2008		
	STANDARD NO. BC 874.01			SCALE : NONE	SHEET 2 OF 2