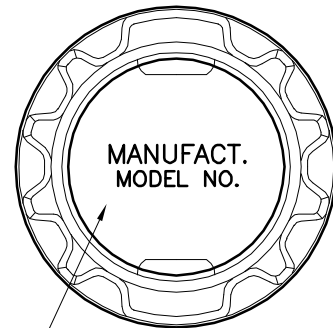
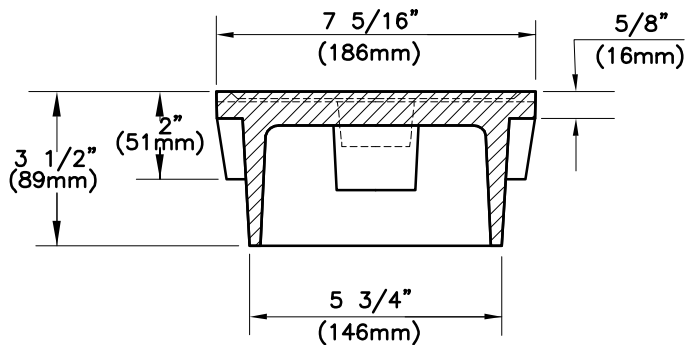


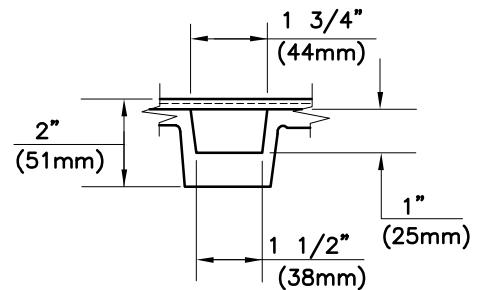
TOP VIEW




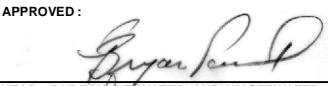
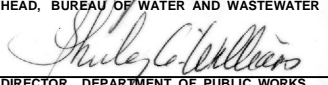
BOTTOM VIEW



SECTION



PICK HOLE DETAIL

	APPROVED:  HEAD, BUREAU OF WATER AND WASTEWATER	CITY OF BALTIMORE DEPARTMENT OF PUBLIC WORKS BUREAU OF WATER AND WASTEWATER	ISSUED	REVISED	REVISED
	 DIRECTOR, DEPARTMENT OF PUBLIC WORKS		3 / 2008		
	7 1/2" ROADWAY BOX LID (ON RESILIENT OR BUTTERFLY VALVE)		STANDARD NO. BC 872.01		
			SCALE : NONE	SHEET 4 OF 6	