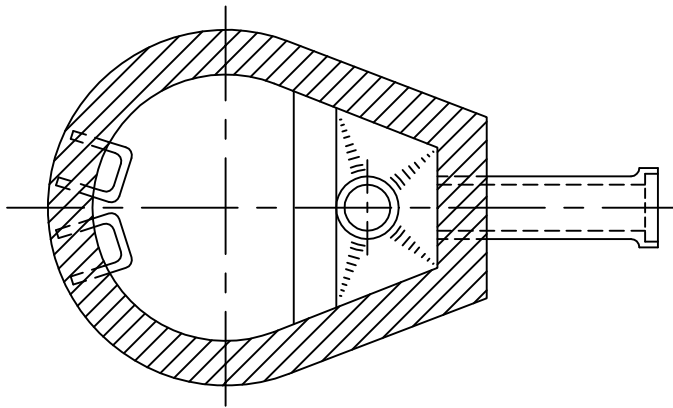
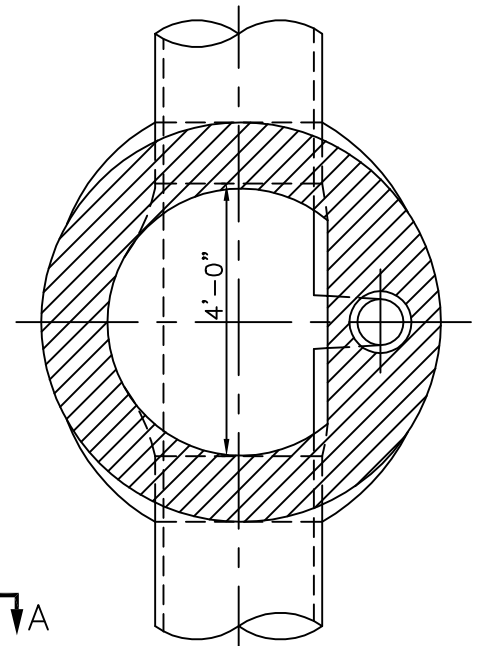


MANHOLE WALL THICKNESS  
 8" To Depth of 12'-0"  
 12" Below Depth of 12'-0"



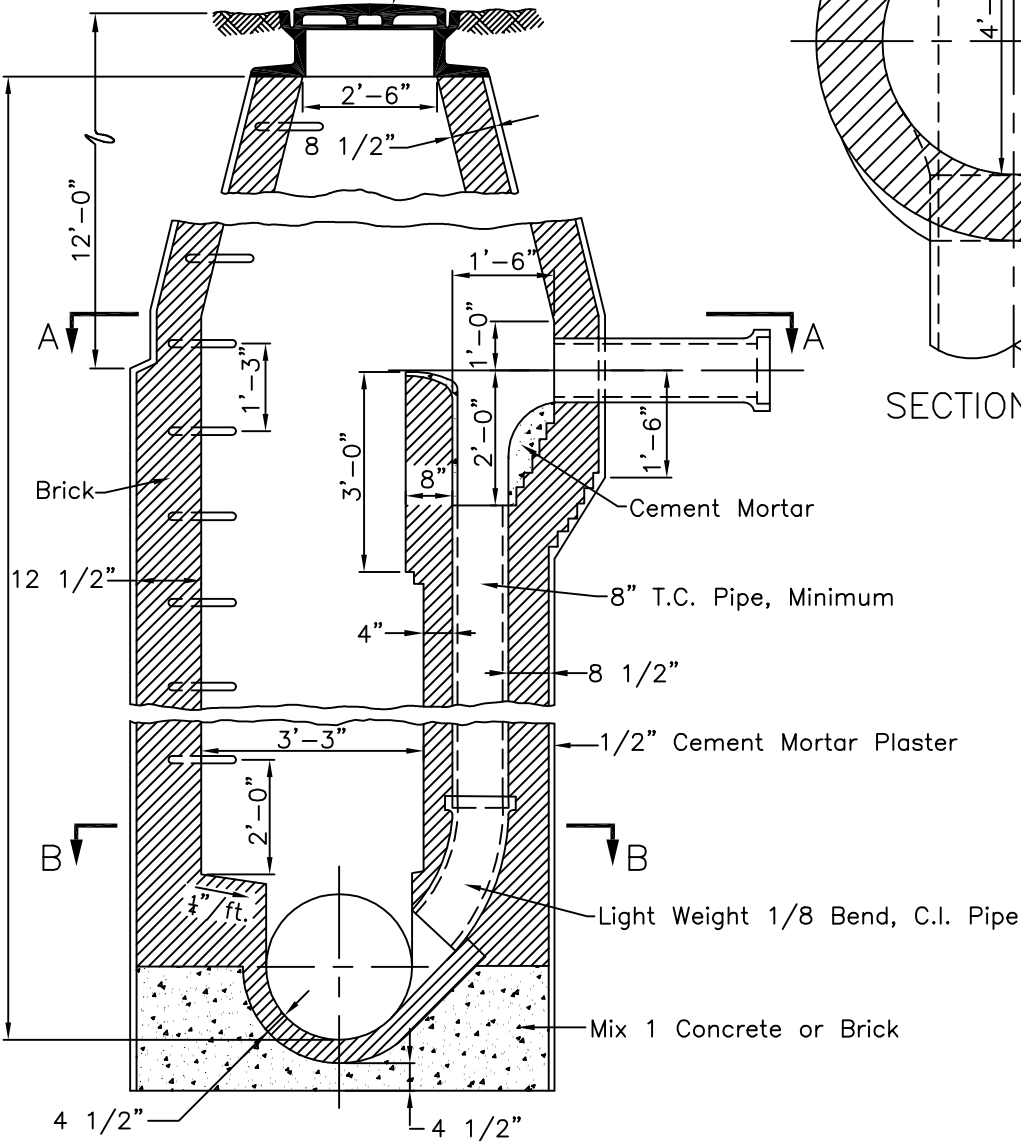
SECTION A-A

Frame and Cover



SECTION B-B

VERTICAL MEASUREMENT FOR PAYMENT



APPROVED:

*[Signature]*

HEAD, BUREAU OF WATER AND WASTEWATER

*[Signature]*

DIRECTOR, DEPARTMENT OF PUBLIC WORKS

CITY OF BALTIMORE  
 DEPARTMENT OF PUBLIC WORKS  
 BUREAU OF WATER AND WASTEWATER

STANDARD MANHOLE  
 TYPE C

ISSUED	REVISED	REVISED
3 / 2008		
<b>STANDARD NO. BC 831.02</b>		
SCALE : NONE		SHEET 1 OF 1