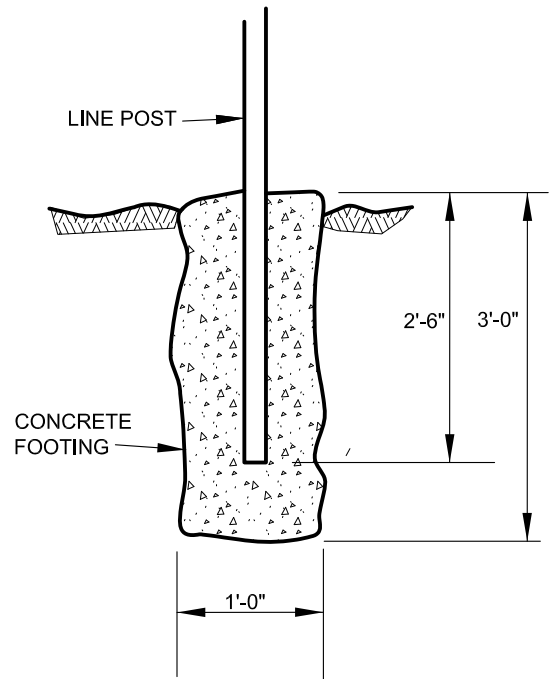
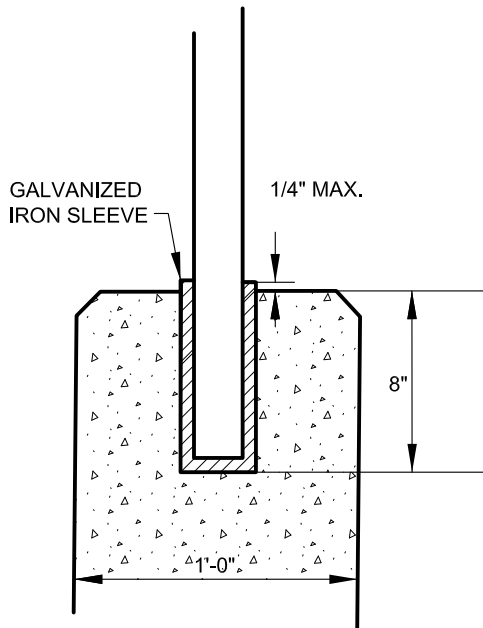


TERMINAL POST MOUNTING

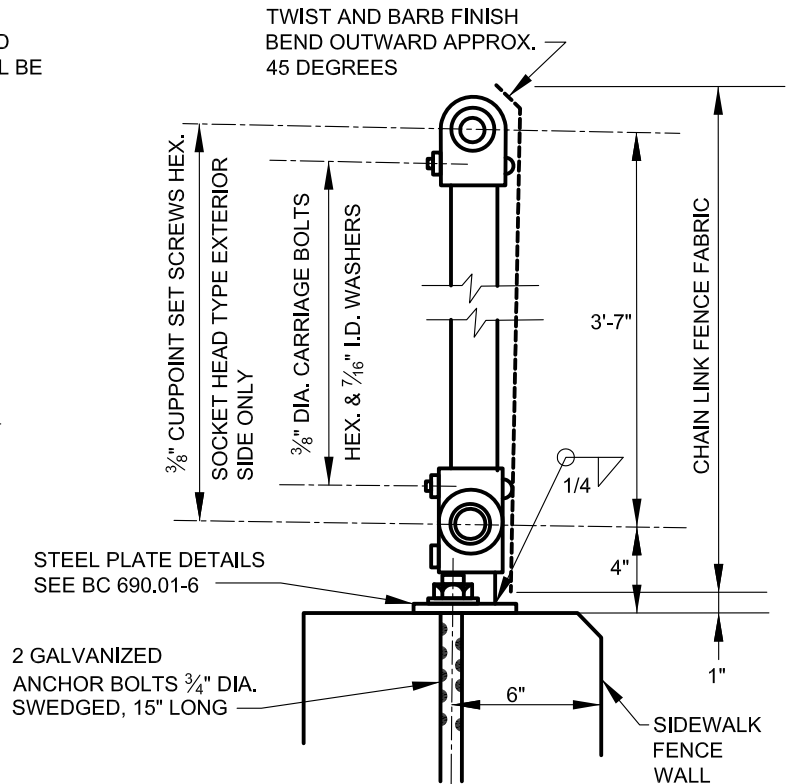


LINE POST MOUNTING

NOTE: WHERE SLEEVE IS INSTALLED WITHOUT POST, SLEEVE WILL BE THREADED AND CAPPED.



POST MOUNTING TOP OF WALL



ALTERNATE 1
POST MOUNTING TOP OF WALL



APPROVED:

Primal Dev...

DIVISION CHIEF, TRANSPORTATION ENGINEERING AND CONSTRUCTION

Khalil Z...

DIRECTOR, DEPARTMENT OF TRANSPORTATION

CITY OF BALTIMORE
DEPARTMENT OF TRANSPORTATION
TRANSPORTATION ENGINEERING AND CONSTRUCTION

POST MOUNTING DETAILS
CHAIN-LINK FENCE

| ISSUED | REVISED | REVISED |
|-----------------------------|---------|--------------|
| 8 / 2010 | | |
| STANDARD NO. BC 690.01-5 | | |
| SCALE : NONE | | SHEET 5 OF 6 |