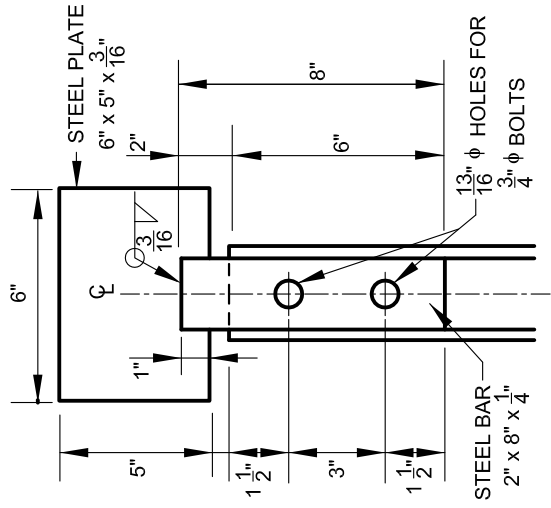
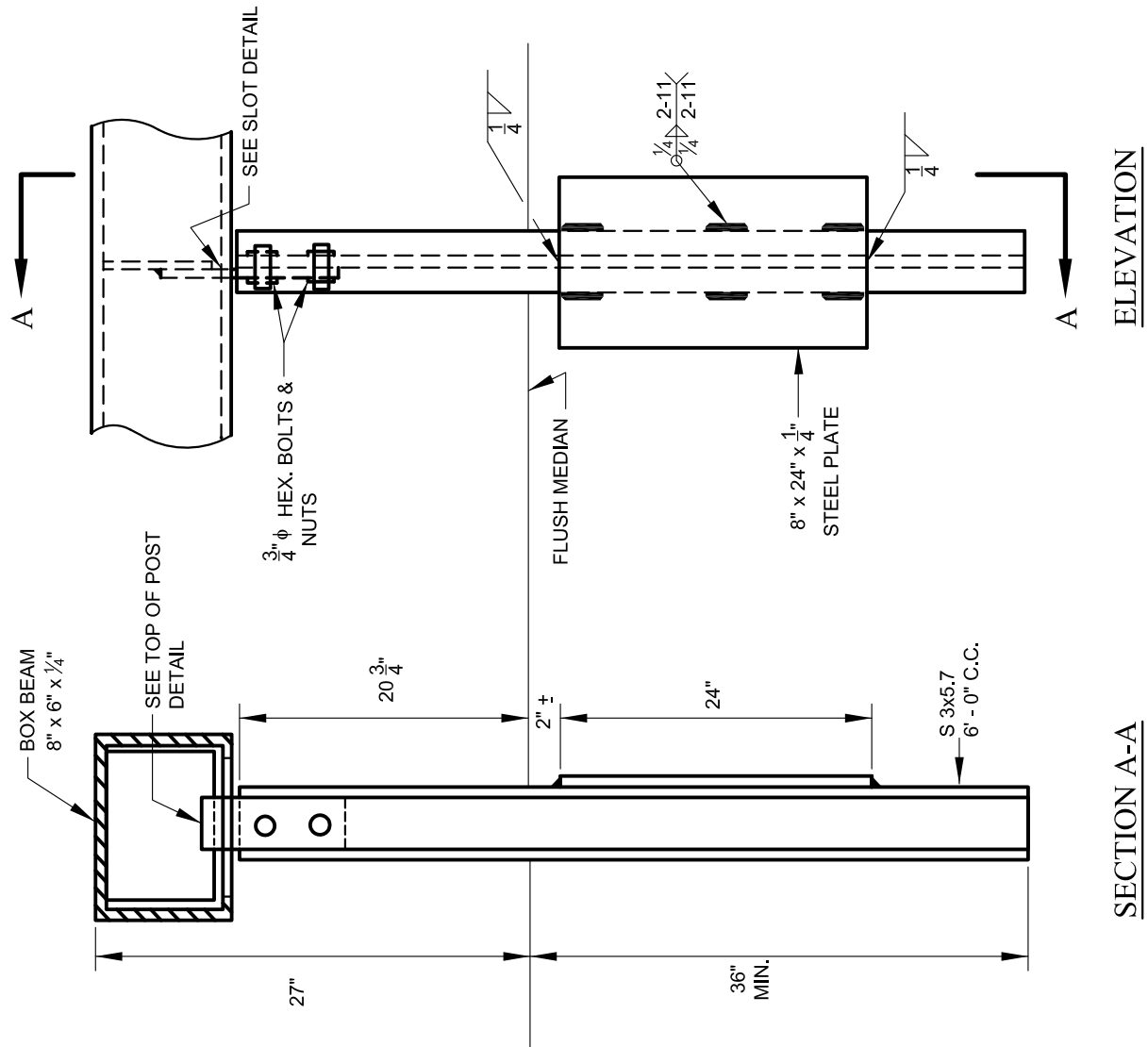


SLOT DETAIL
(BOTTOM VIEW OF RAIL)



TOP OF POST DETAIL



ELEVATION

SECTION A-A



APPROVED:
Frank Murphy
DEPUTY DIRECTOR - OPERATIONS
Khalil Zane
DIRECTOR, DEPARTMENT OF TRANSPORTATION

CITY OF BALTIMORE
DEPARTMENT OF TRANSPORTATION
TRAFFIC DIVISION
**TRAFFIC BARRIER BOX BEAM
MEDIAN BARRIER - DETAILS
FOR FLUSH MEDIANS**

ISSUED	REVISED	REVISED
8 / 2010		
STANDARD NO. BC 662.51-2		
SCALE: NONE	SHEET 2 OF 2	