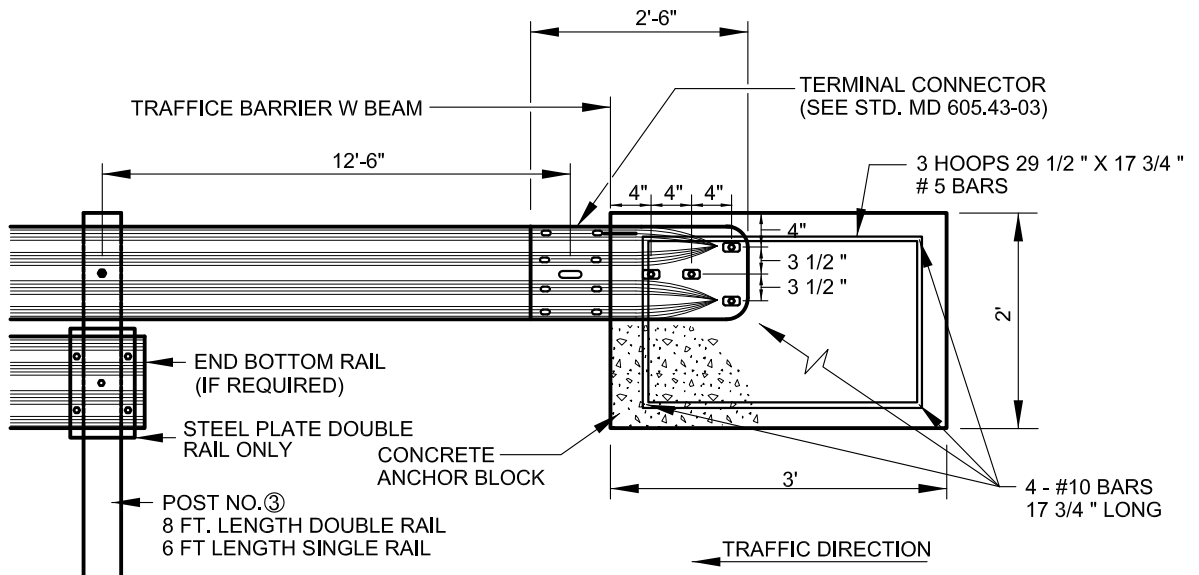



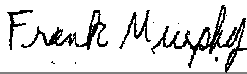
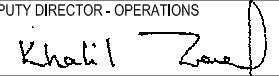
PLAN VIEW



FRONT VIEW

NOTES

1. THE CONTRACTOR SHALL FURNISH AND INSTALL FOUR (4) 7/8 " DIA X 10" LENGTH HEAVY DUTY GALV. THREADED ANCHOR RODS WITH HEX HEAD RECESSED NUTS AND RECTANGULAR PLATE WASHERS. ANCHOR RODS SHALL BE ANCHORED WITH EPOXY GROUT AS SPECIFIED IN MD SHA STD. SPECIFICATIONS 902.
2. THIS OPTION REPLACES POSTS ① AND ② AS SHOWN IN OPTION 1
3. CONCRETE ANCHOR BLOCK MAY BE PRECAST OR CAST IN PLACE.
4. THE COST OF THE TERMINAL CONNECTOR SHALL BE INCIDENTAL TO THE CONTRACT PRICE PER EACH FOR THE TYPE A END ANCHORAGE TERMINAL.

	APPROVED:  DEPUTY DIRECTOR - OPERATIONS	CITY OF BALTIMORE DEPARTMENT OF TRANSPORTATION TRAFFIC DIVISION	ISSUED 8 / 2010	REVISED	REVISED	
	 DIRECTOR, DEPARTMENT OF TRANSPORTATION	TRAFFIC BARRIER W BEAM WITH TYPE A END ANCHORAGE (OPTION 2)	STANDARD NO. BC 660.27			
			SCALE : NONE	SHEET 1 OF 1		