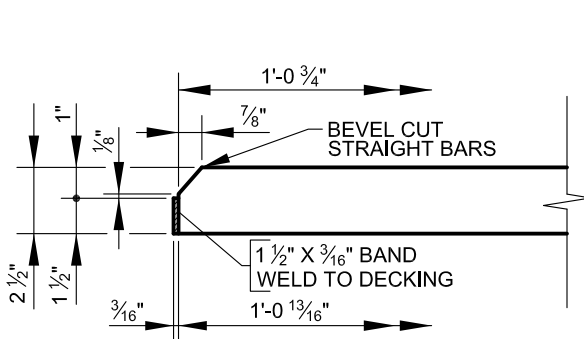
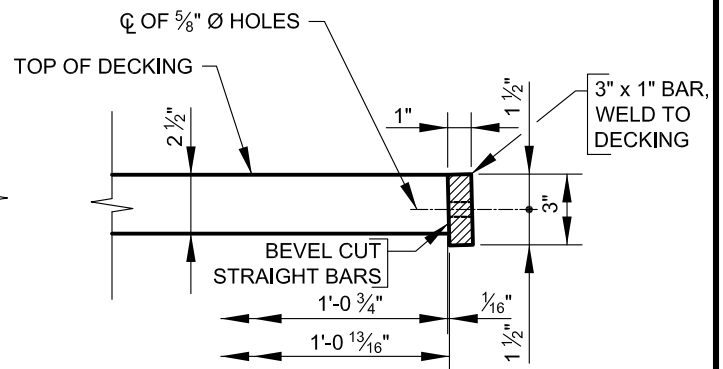


**STANDARD SCUPPER GRATING**



**SECTION 'C-C'**



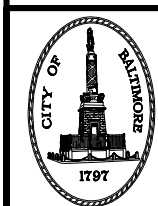
**SECTION 'D-D'**

**NOTES:**

**MATERIAL:** SCUPPER TO BE OF GRAY CAST IRON AS PER A.S.T.M. SERIAL DESIGNATION A48 CLASS 30B. GRATING TO BE STRUCTURAL STEEL, AS PER A.S.T.M. SERIAL DESIGNATION A7, OR S.A.E. - 1010 CARBON STEEL.

**WELDING:** GRATINGS TO BE WELDED TO SCUPPERS.

**PAINT:** SCUPPERS AND GRATINGS SHALL BE PAINTED ONE SHOP COAT INSIDE AND OUTSIDE. SHOP PAINT SHALL COMPLY WITH A.A.S.H.T.O., DESIGNATION M-72, TYPE I OR TYPE II, EXCEPT THAT FOR TYPE I THE VISCOSITY SHALL NOT EXCEED 90 K.U. INSIDES OF SCUPPERS, HORIZONTAL SHOWING SURFACE IN ROADWAY AND GRATINGS TO BE PAINTED TWO COATS OF ASPHALT PAINT CONFORMING TO FEDERAL SPEC. TT-V-51a. VERTICAL SHOWING SURFACE IN CURB FACE TO BE PAINTED TWO COATS OF GRAY PAINT. OUTSIDE OF SCUPPERS EXPOSED TO ATMOSPHERE BELOW THE CONCRETE DECK SLAB SHALL RECEIVE THE SAME FIELD PAINT REQUIRED FOR STRUCTURAL STEEL, OR IN CASE THERE IS NO STRUCTURAL STEEL, SHALL BE PAINTED GRAY.



APPROVED:  
*Primal DeWitt*  
 DIVISION CHIEF, TRANSPORTATION ENGINEERING AND CONSTRUCTION  
*Khalil Zare*  
 DIRECTOR, DEPARTMENT OF TRANSPORTATION

**CITY OF BALTIMORE**  
**DEPARTMENT OF TRANSPORTATION**  
**TRANSPORTATION ENGINEERING AND CONSTRUCTION**

**STANDARD SCUPPER GRATING**

ISSUED	REVISED	REVISED
8 / 2010		
<b>STANDARD NO.</b> BC 437.03		
SCALE : NONE	SHEET 1 OF 1	