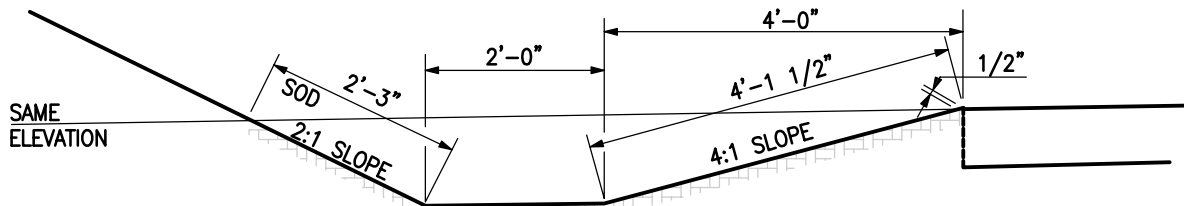
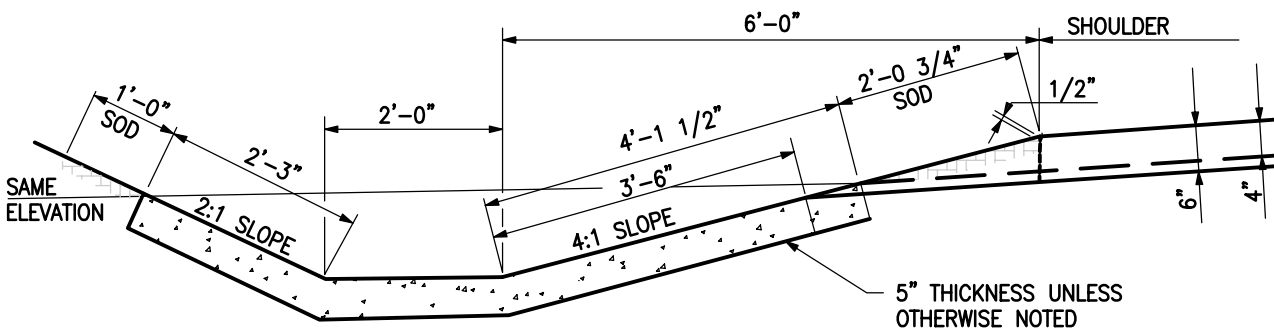


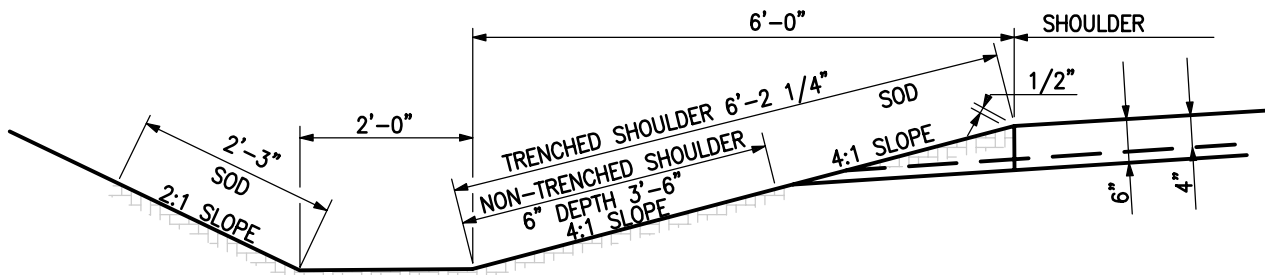
CONCRETE SIDE DITCH



SOD SIDE DITCH  
"A"





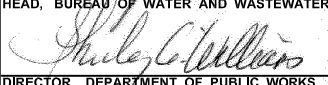
CONCRETE SIDE DITCH



SOD SIDE DITCH  
"B"

**NOTES:**

1. WHEN DITCHES ARE CONSTRUCTED OTHER THAN AS SHOWN, THE ELEVATIONS WILL BE NOTED ON THE PLANS.
2. ALL SOD TO BE PLACED PER SPECIFICATION SECTION 32 92 23 SODDING.
3. CONCRETE SHALL BE MIX 2.

	APPROVED: 	CITY OF BALTIMORE DEPARTMENT OF PUBLIC WORKS BUREAU OF WATER AND WASTEWATER	ISSUED	REVISED	REVISED
	HEAD, BUREAU OF WATER AND WASTEWATER 		3 / 2008		
STANDARD SIDE DITCHES TRAPEZOIDAL			<b>STANDARD NO.</b> <b>BC 389.03</b>		
			SCALE: NONE		SHEET 1 OF 1