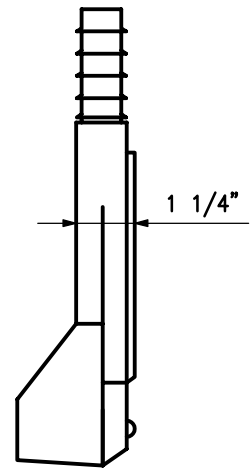
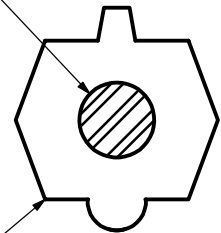


PLAN

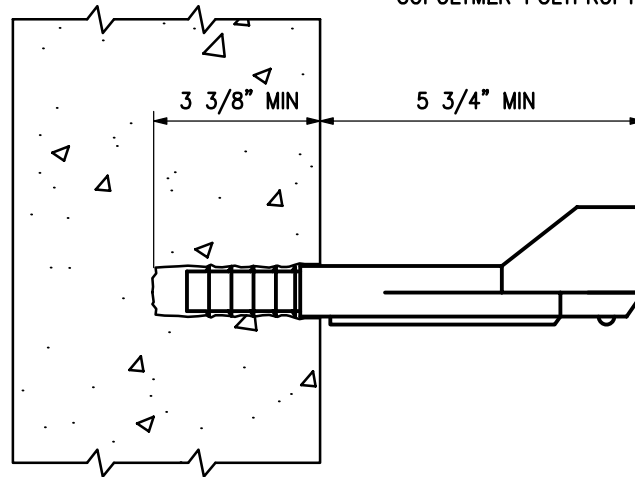


1/2" Ø GRADE 60
STEEL REINFORCEMENT



SECTION A-A



COPOLYMER POLYPROPYLENE PLASTIC



NOTE:

COPOLYMER POLYPROPYLENE SHALL BE CERTIFIED BY THE MANUFACTURER TO CONFORM TO ASTM D4101 AND HAVE A MINIMUM EXPOSED SECTION THICKNESS OF 1/8".



APPROVED:

 HEAD, BUREAU OF WATER AND WASTEWATER

 DIRECTOR, DEPARTMENT OF PUBLIC WORKS

CITY OF BALTIMORE
 DEPARTMENT OF PUBLIC WORKS
 BUREAU OF WATER AND WASTEWATER

POLYPROPYLENE MANHOLE STEP
 FOR PRECAST MANHOLES

ISSUED	REVISED	REVISED
3 / 2008		

STANDARD NO.
BC 383.93

SCALE : NONE

SHEET 1 OF 1