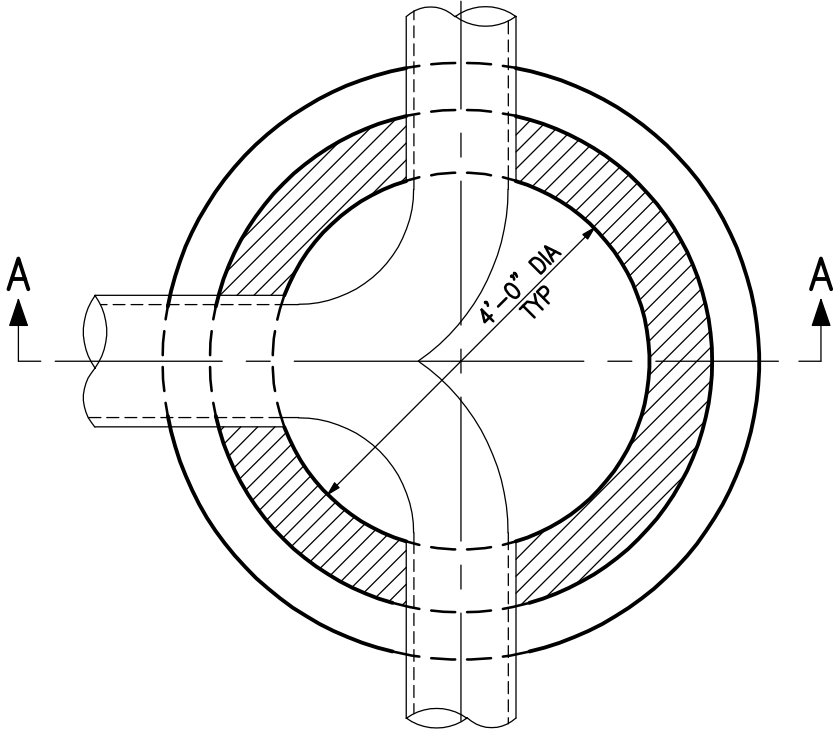
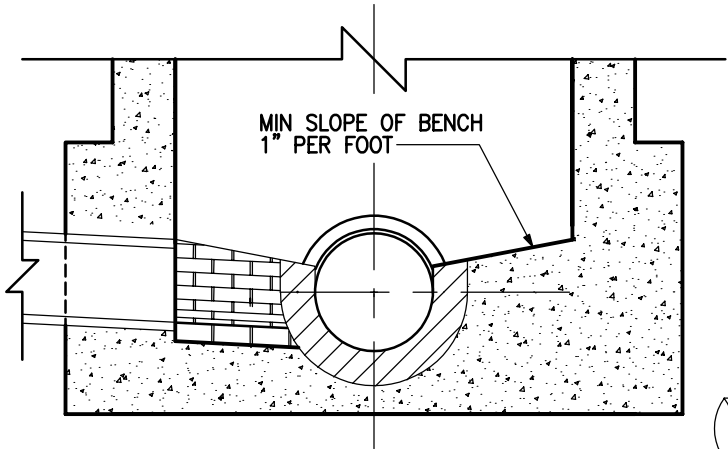


NOTE:

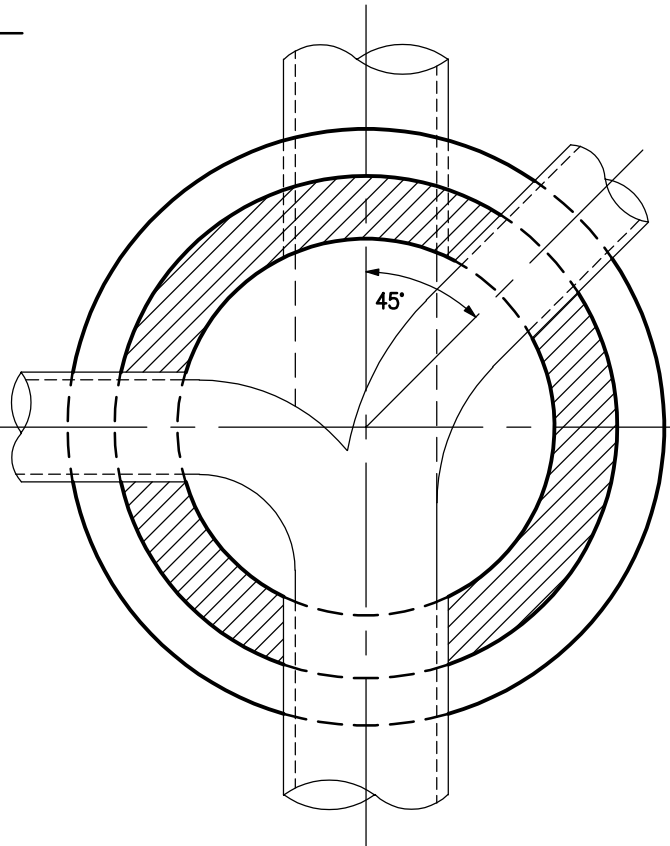
BENCH HEIGHT ABOVE OUTGOING PIPE
INVERT TO BE EQUAL TO DIAMETER OF
OUTGOING PIPE





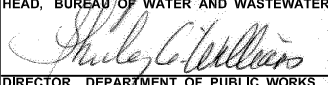
STANDARD CHANNEL NO. 1



SECTION A-A
(STANDARD CHANNEL NO. 1)



STANDARD CHANNEL NO. 2

	APPROVED :  HEAD, BUREAU OF WATER AND WASTEWATER	CITY OF BALTIMORE DEPARTMENT OF PUBLIC WORKS BUREAU OF WATER AND WASTEWATER TYPICAL MANHOLE CHANNELS STANDARD CHANNEL NO. 1 STANDARD CHANNEL NO. 2	ISSUED	REVISED	REVISED
	 DIRECTOR, DEPARTMENT OF PUBLIC WORKS		3 / 2008		
			STANDARD NO. BC 383.31		
			SCALE : NONE	SHEET 1 OF 1	